



Acme Sanitary Ware Co. Ltd.

1/F, Acme Building, 22-28 Nanking Street, Kowloon, Hong Kong

Tel: 2388 7171 Fax: 2710 8012

Email: acme@acmesanitary.com.hk

Website: www.acmesanitary.com.hk

Since 1949

PROJECT		REF		REV	ITEM CODE	
LOCATION		DATE			PAGE	

SANITARY WARE SPECIFICATION SHEET

Item Descriptions	EMCA (PRC) Plastic circular pneumatic dual flush concealed cistern with internal tank fitting, support hanger push button control and 1/2" inlet filter ; 3/4.6 LPF in WELS Grade 1 ; Registration No. WC 20-0004	<p>Illustration/ Drawing</p> <p>Technical drawing dimensions: Top view: 335 (width), 310 (height) Side view: 137 (height), 45 (width), 225 (width) Bottom view: 186-367 (height), Ø38 (1 1/2") (width), Ø50/2" (width)</p>
Dimensions	L137 x W335 x H310 mm	
Model	EM6005.017	
Finish	Plastic	
Source	Acme Sanitary Ware Co. Ltd Mr. Eric Wong/ Mr. Don Yuen	
Contact Tel/Fax	(852) 2388-7171 / (852) 2710-8012	
E-mail	acme@acmesanitary.com.hk	
Website	www.acmesanitary.com.hk	

Note: The colour of concealed cistern may be varied subjected to environmental plastic to be used

Tank fittings : 'Otter' J43-X side inlet valve
'Otter' P61 dual flush valve

* All information of the above is for the reference only. No prior notice is made if any changes.



自願參與用水效益標籤計劃 - 水廁
Voluntary Water Efficiency Labelling Scheme - Water Closets



茲證明


This is to certify that

Acme Sanitary Ware Co. Ltd.

將下列水廁在本計劃內註冊：

has registered the following water closet under this scheme :

牌子 / Brand	: EMCA + OTTER
型號 / Model	: EM6005.017 + P61
種類 / Category	: Water Closet Cistern
原產地 / Country or Region Origin	: China (WC Cistern) China (Flushing Valve)

在用水效益標籤上展示的標誌 <i>Symbolic Presentation on the Water Efficiency Label</i>	:  滴水點 <i>Water droplet(s)</i>
用水效益級別 <i>Water Efficiency Grade</i>	: 1
全沖水量 <i>Water Flush Volume (Full)</i>	: 4.6 公升/沖廁 <i>litres/flush</i>
低沖水量 <i>Water Flush Volume (Reduced)</i>	: 3.0 公升/沖廁 <i>litres/flush</i>

簽發日期:
Date of Issue: 3 April 2020

 水務署
Water Supplies Department



水務署署長(張業駒代行)
for Director of Water Supplies

+ 上述水廁具額外節水功能，即：重用洗盥水作沖廁用途。
The above water closet is equipped with additional water saving feature, that is: re-use the water collected from wash basin for flushing purpose.



Acme Sanitary Ware Co. Ltd.

1/F, Acme Building, 22-28 Nanking Street, Kowloon, Hong Kong

Tel: 2388 7171 Fax: 2710 8012

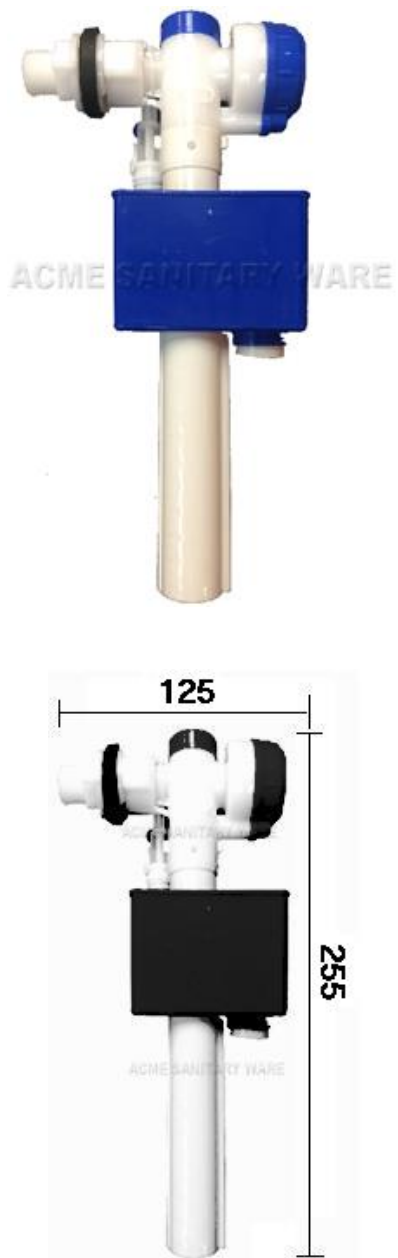
Email: acme@acmesanitary.com.hk

Website: www.acmesanitary.com.hk

Since 1949

PROJECT		REF		REV	ITEM CODE	
LOCATION		DATE			PAGE	

SANITARY WARE SPECIFICATION SHEET

<p>Item Descriptions</p> <p>Model</p> <p>Manufacturer</p> <p>Material</p> <p>Source</p> <p>Contact Tel/Fax</p> <p>E-mail</p> <p>Website</p>	<p>Otter (PRC) Equilibrium side inlet quiet float valve</p> <p>J43-X</p> <p>Otter (PRC)</p> <p>Plastic</p> <p>Acme Sanitary Ware Co. Ltd Mr. Eric Wong/ Mr. Don Yuen</p> <p>(852) 2388-7171 / (852) 2710-8012</p> <p>acme@acmesanitary.com.hk</p> <p>www.acmesanitary.com.hk</p>	<p>Illustration/ Drawing</p> 
---	--	---

Note:

* All information of the above is for the reference only. No prior notice is made if any changes.



Waterworks Department

灣仔道七號入境事務大樓 48 樓

Migration Tower, 7 Gloucester Road, Wan Chai, Hong Kong

本署檔號 : (2) in WSD 3321/2021 T/J(554/2021)
Our ref.
來函檔號 :
Your ref.

電話 :
Tel.
傳真 : 2824 0578
Fax.

23 April 2021

Dear Sir,

**Approval of "OTTER" Float Operated Valve
(General Acceptance No. C20210427F)**

Your letter ref. WRC/21003 dated 7 April 2021 refers.

Having considered the test report ref. J26439 issued on 7 April 2021 by Nutek Systems (HK) Limited, this Authority accepts that the fitting described below complies with, and its use when correctly installed does not contravene, the Waterworks Ordinance and Regulations.

Name of Manufacturer: Zhongshan Meitu Plastic Ind Co Ltd

Country of Origin: the Mainland of China

Brand: Otter

Details of Fitting: 1/2" Plastic float operated valve

Model: J43-X

Body Markings: **MEITU**

Expiry Date: 29 March 2026



Proviso: As the fitting has not been tested for use in contact with water intended for human consumption, the fitting can only be used in flushing water plumbing system.

This Authority hereby permits the use of the above fitting in flushing water plumbing systems subject to full adherence to Waterworks installation requirements. In particular, you are required to draw your customers' attention to the following requirement-

"The flushing volume of the flushing valve should be adjusted to suit the design of the toilet bowl so that wastes can be cleared effectively by a single flush."

"The fitting should be used within the range of working pressures specified by the manufacturer." AND

"The installed fitting should not result in backflow of water that will contaminate the flushing water supply."

A condition of this acceptance is that the fitting to be installed shall be replicas of the sample as certified by the testing agent mentioned above and without modifications. This acceptance may be withdrawn at any time if the standard of the fitting installed fails to meet that of the approved sample or if the fitting is found to be unsuitable for use in flushing water plumbing systems.

For the use of the fitting in any project, the General Acceptance Number of this letter must be quoted as a means of identification of acceptance of the fitting by this Authority.

Should you have any enquiries, please contact our Engineer Mr. Terry KUNG at tel. no. 3583 4086.

Yours faithfully,



(Roger WONG)

for Director of Water Supplies

Encl.

c.c. WSD 3321/1/82] - without catalogue
ME/MC] - with soft copy only



Acme Sanitary Ware Co. Ltd.

1/F, Acme Building, 22-28 Nanking Street, Kowloon, Hong Kong

Tel: 2388 7171 Fax: 2710 8012


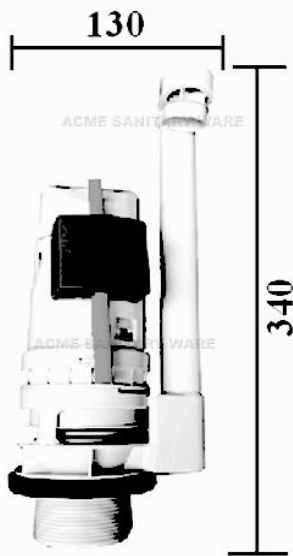
Email: acme@acmesanitary.com.hk

Website: www.acmesanitary.com.hk

Since 1949

PROJECT		REF		REV	ITEM CODE	
LOCATION		DATE			PAGE	

SANITARY WARE SPECIFICATION SHEET

Item Descriptions	Illustration/ Drawing
<p>Model P61</p> <p>Material Plastic</p> <p>Manufacturer Otter (PRC)</p> <p>Supplier Acme Sanitary Ware Co. Ltd Mr. Eric Wong/ Mr. Don Yuen</p> <p>Contact Tel/Fax (852) 2388-7171 / (852) 2710-8012</p> <p>E-mail acme@acmesanitary.com.hk</p> <p>Website www.acmesanitary.com.hk</p>	 

Note :

* All information of the above is for the reference only. No prior notice is made if any changes.



Waterworks Department

道七號入境事務大樓 48 樓

48/F, Immigration Tower, 7 Gloucester Road, Wan Chai, Hong Kong

本署檔號 : (4) in WSD 3321/2021 T/J(471/2021)
Our ref.
來函檔號 :
Your ref.

電話 :
Tel.
傳真 : 2824 0578
Fax.

19 April 2021

Dear Sir,

**Approval of "OTTER" Flush Valve
(General Acceptance No. C20210400F)**

Your letters both ref. WRC/21002 dated 16 March 2021 and 29 March 2021 refer.

Having considered the test report ref. J25843 issued on 16 March 2021 by Nutek Systems (HK) Limited, this Authority accepts that the fitting described below complies with, and its use when correctly installed does not contravene, the Waterworks Ordinance and Regulations.

Name of Manufacturer: Zhongshan Meitu Plastic Ind Co Ltd
Country of Origin: the Mainland of China
Brand: Otter
Details of Fitting: 2" Plastic dual flush valve
Model: P61
Body Markings: **MEITU**
Expiry Date: 6 January 2026



Proviso: As the fitting has not been tested for use in contact with water intended for human consumption, the fitting can only be used in flushing water plumbing system.

This Authority hereby permits the use of the above fitting in flushing water plumbing systems subject to full adherence to Waterworks installation requirements. In particular, you are required to draw your customers' attention to the following requirement-

"The flushing volume of the flushing valve should be adjusted to suit the design of the toilet bowl so that wastes can be cleared effectively by a single flush."

"The fitting should be used within the range of working pressures specified by the manufacturer." AND

"The installed fitting should not result in backflow of water that will contaminate the flushing water supply."

A condition of this acceptance is that the fitting to be installed shall be replicas of the sample as certified by the testing agent mentioned above and without modifications. This acceptance may be withdrawn at any time if the standard of the fitting installed fails to meet that of the approved sample or if the fitting is found to be unsuitable for use in flushing water plumbing systems.

For the use of the fitting in any project, the General Acceptance Number of this letter must be quoted as a means of identification of acceptance of the fitting by this Authority.

Should you have any enquiries, please contact our Engineer Mr. Terry KUNG at tel. no. 3583 4086.

Yours faithfully,



(Roger WONG)

for Director of Water Supplies

Encl.

c.c. WSD 3321/1/82] - without catalogue
ME/MC] - with soft copy only